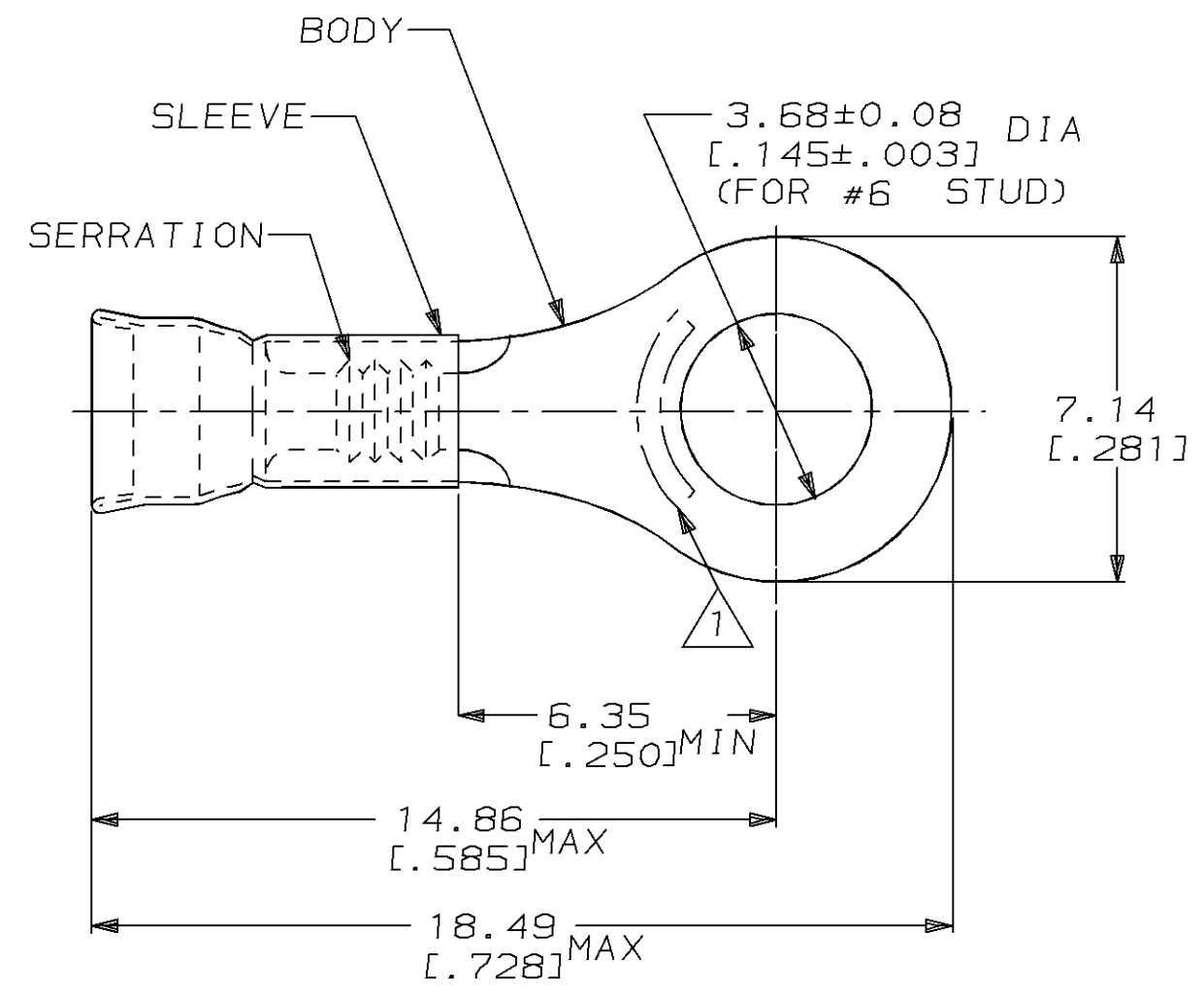


THIS DRAWING IS UNPUBLISHED. RELEASED FOR PUBLICATION ,19 .
 © COPYRIGHT 19 BY AMP INCORPORATED. ALL RIGHTS RESERVED.

LOC	DIST	REVISIONS					
		P	LTR	DESCRIPTION	DATE	DWN	APVD
G	14		C	REDRAWN PER 0720-0470-95	23JAN95	LO	ME

AMP WIRE RANGE	E13288	LR7189 Certified
22-16 AWG SOLID OR STRANDED	22-16 AWG SOLID OR STRANDED	22-16 AWG SOLID OR STRANDED



- STAMP AMP 22-18* APPROX AS SHOWN
22-16 TERMINALS ARE STAMPED 22-18 IN
ACCORDANCE WITH MILITARY SPEC MIL-T-7928
COMMERCIAL WIRE RANGE IS 22-16
- WIRE INSUL DIA, 2.03-3.18 [$.080-.125$]
- TONGUE MATL THK, 0.79±0.05 [$.031 \pm .002$]

5000	ON TAPE, REEL	2-31269-1
1000	LOOSE PIECE	31269
QTY	PACKAGE TYPE	PART NO

AMP INCORPORATED CUSTOMER SERVICE SYSTEM		MAX RECOMMENDED OPERATING TEMPERATURE: 170°C [338°F]	THIS DRAWING IS A CONTROLLED DOCUMENT FOR AMP INCORPORATED. IT IS SUBJECT TO CHANGE AND THE CONTROLLING ENGINEERING ORGANIZATION SHOULD BE CONTACTED FOR THE LATEST REVISION.		DWN L OLMEDA 23JAN95	AMP AMP Incorporated Harrisburg, PA 17105-3608
FOR ADDITIONAL PRODUCT INFORMATION OR COPIES OF DRAWINGS AND TECHNICAL DOCUMENTS	PRODUCT INFORMATION CENTER 1-800-522-6752		VOLTAGE RATING: -	DIMENSIONS: mm [in]	TOLERANCES UNLESS OTHERWISE SPECIFIED:	
FOR APPLICATION TOOLING INFORMATION	TOOLING ASSISTANCE CENTER 1-800-722-1111	CIRCULAR MIL AREA: 0.26mm ² -1.65mm ² [509-3260]		0 PLC ±-	APVD S BORTNER 23JAN95	NAME TERMINAL, RING, DIAMOND GRIP, WIRE SIZE, 22-16 AWG
FOR ORDER ENTRY	1-800-526-5142	MATERIAL BODY, CU, SLV, CU PER ASTM B152		1 PLC ±-	2 PLC ±0.20 [.008]	
				3 PLC ±-	APPLICATION SPEC -	SIZE A3
				4 PLC ±-	WEIGHT -	CAGE CODE 00779
				ANGLES ±-	CUSTOMER DRAWING	DRAWING NO C-31269
				FINISH TIN PLATE PER MIL-T-10727	SCALE 6:1	SHEET 1 OF 1
					REV C	